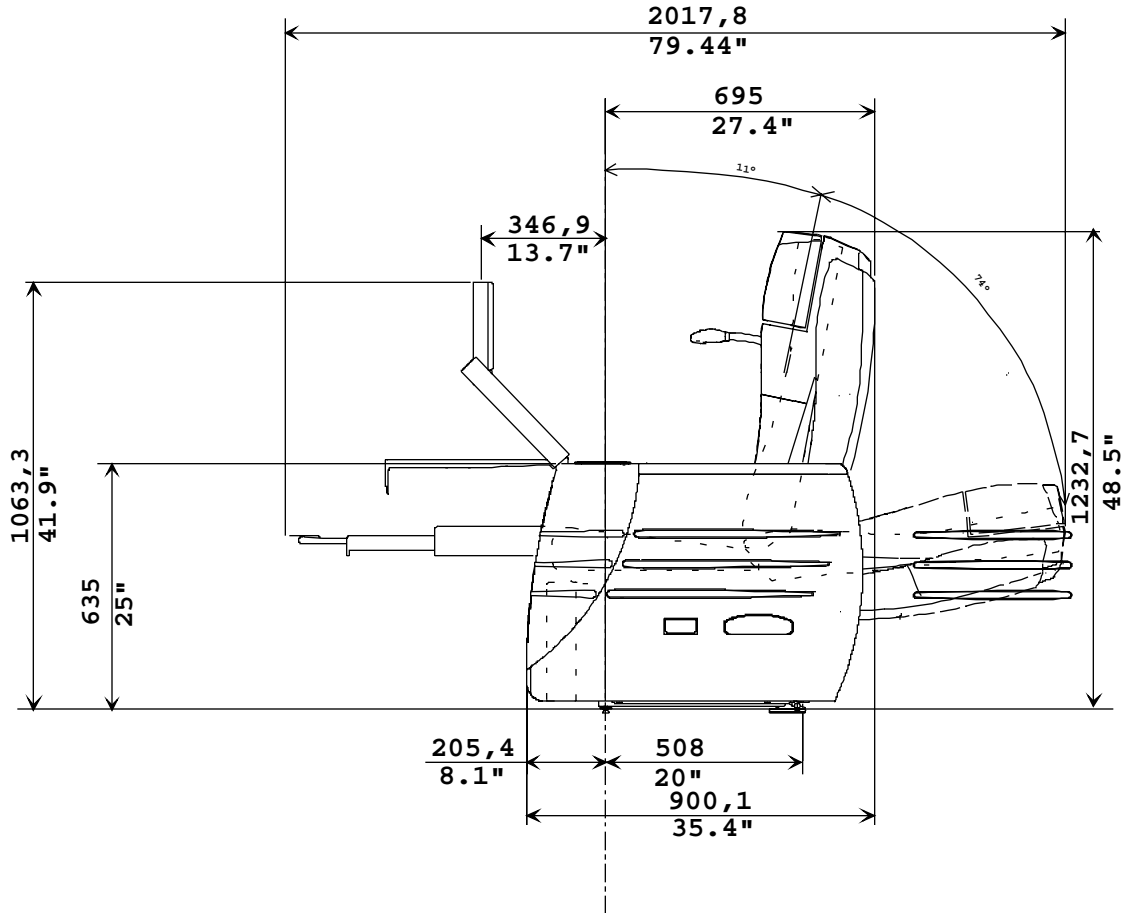


EADS SOGERMA
COMPONENT MAINTENANCE MANUAL
FFDS1-01TN-SERIES



OVERALL DIMENSIONS (LATERAL VIEW)
FIGURE 7 / GRAPHIC 25-25-81-991-034-A01